



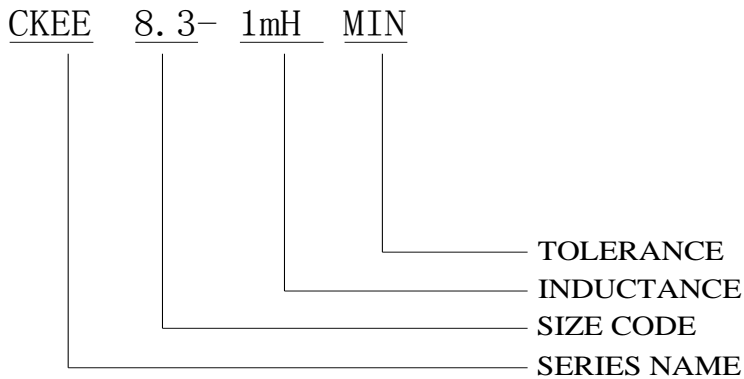
● **FEATURES 特性**

1. Metallization on ferrite core results in excellent shock resistance and damage-free durability.
2. Closed magnetic circuit design reduces leakage flux and Electro Magnetic Interference (EMI).
3. Fe base metal material core provides large saturation current.
4. Automatic production ensures high quality and consistency.

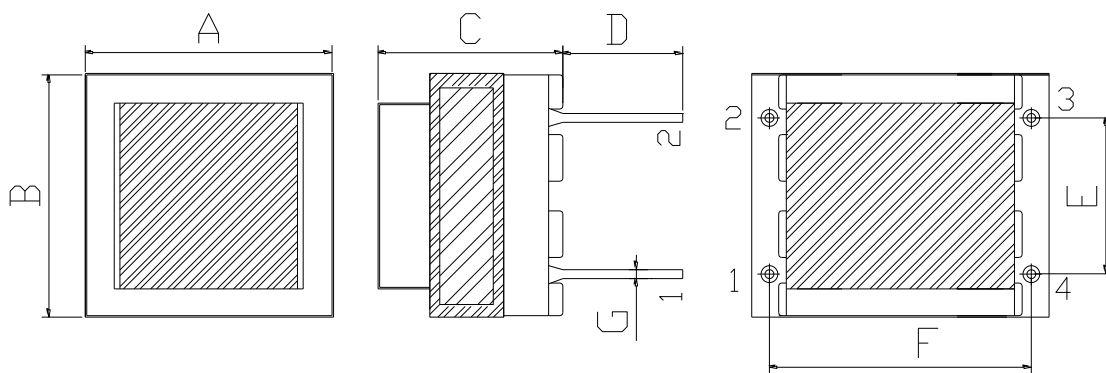
● **APPLICATIONS 用途**

1. Protects AC side from the affects of switching regulators
2. Provides noise elimination and immunity for TVs,TVRs/VCRs, audio equipmens,etc

● **PART NUMBERING SYSTEM 品名系统**



● **SHAPES AND DIMENSIONS 外形尺寸 (Unit:mm)**



TYPE(型号)	A	B	C	D	E	F	G
CKEE6.5	7.8Max	7.8Max	8.2Max	2.0 ±0.5	4.5±0.3	5.3±0.3	0.5±0.1
CKEE8.3	10.0Max	10.0Max	10.0Max	4.0±0.5	5.0±0.3	6.8±0.5	0.5±0.1
CKEE10	12.5Max	12.5Max	13.0Max	4.0±0.5	5.0±0.3	9.0±0.5	0.6±0.1