



WIRE WINDING TRANSFORMER CKEE Series 绕线变压器 CKEE系列

● FEATURES 特性

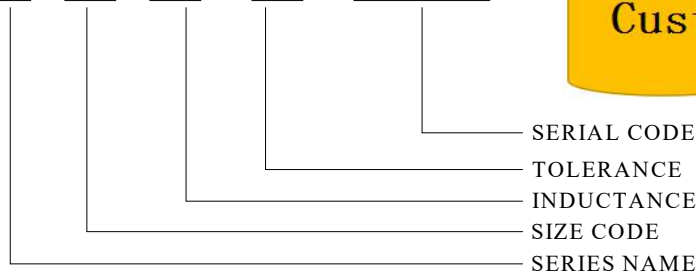
1. 铁氧体铁芯漏磁少，EMI性能好;
Ferrite core, less magnetic leakage, good EMI performance;
2. 高阻抗，开放式结构，散热效果好;
High impedance, open structure, good heat dissipation effect;
3. 通用材料，成本低，快速交付;
General purpose materials, low cost, quick delivery;
4. 自动化生产确保高质量和一致性。
Automatic production ensures high quality and consistency.

● APPLICATIONS 用途

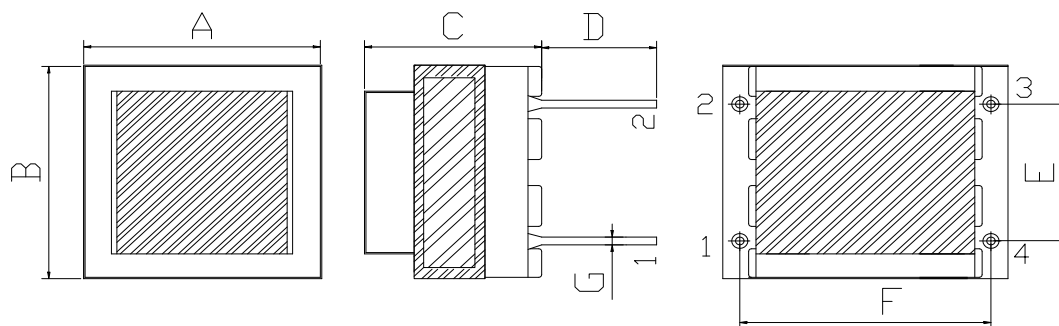
1. 适用于AC-DC和DC-DC适配器，也可作为滤波器;
AC-DC and DC-DC adapters are available and can also be used as filters;
2. 消除噪音和干扰;
Provides noise elimination and immunity for electrical equipments,etc
3. 我们可以根据您的要求定制产品。请联络我们的销售人员。
We can customize products according to your requirements. Please consult our sales.

● PART NUMBERING SYSTEM 品名系统

CKEE 8.3- 1mH / Min - □□□□



● SHAPES AND DIMENSIONS 外形尺寸 (Unit:mm)



TYPE(型号)	A	B	C	D	E	F	G
CKEE6.5	7.8Max	7.8Max	8.2Max	2.0 ±0.5	4.5±0.3	5.3±0.3	0.5±0.1
CKEE8.3	10.0Max	10.0Max	10.0Max	4.0±0.5	5.0±0.3	6.8±0.5	0.5±0.1
CKEE10	12.5Max	12.5Max	13.0Max	4.0±0.5	5.0±0.3	9.0±0.5	0.6±0.1



WIRE WINDING TRANSFORMER CKEE Series

绕线变压器 CKEE系列

● FEATURES 特性

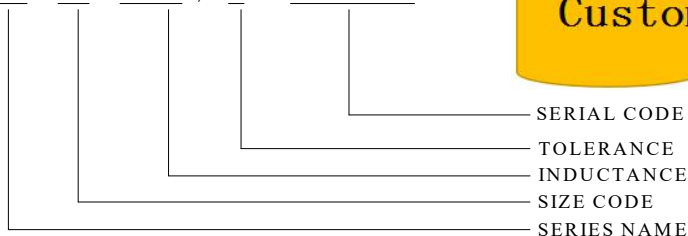
1. 铁氧体铁芯漏磁少, EMI性能好;
Ferrite core, less magnetic leakage, good EMI performance;
2. 高阻抗, 开放式结构, 散热效果好;
High impedance, open structure, good heat dissipation effect;
3. 通用材料, 成本低, 快速交付;
General purpose materials, low cost, quick delivery;
4. 自动化生产确保高质量和一致性。
Automatic production ensures high quality and consistency.

● APPLICATIONS 用途

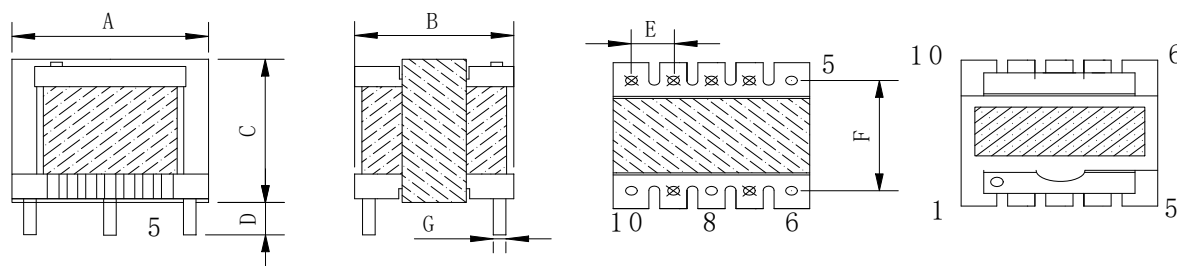
1. 适用于AC-DC和DC-DC适配器, 也可作为滤波器;
AC-DC and DC-DC adapters are available and can also be used as filters;
2. 广泛应用于小功率开关电源适配器和LED驱动;
Widely used in low power supply and LED driver.
3. 我们可以根据您的要求定制产品。请联络我们的销售人员。
We can customize products according to your requirements. Please consult our sales.

● PART NUMBERING SYSTEM 品名系统

CKEE 13- 1mH / K - □□□□



● SHAPES AND DIMENSIONS 外形尺寸 (Unit:mm)



TYPE(型号)	A	B	C	D	E	F	G
CKEE13	15.5Max	14.5Max	15.0Max	4.0±0.5	2.5±0.5	8.5±0.5	0.6±0.1
CKEE16	18.0Max	14.5Max	17.0Max	4.0±0.5	3.25±0.5	10.5±0.5	0.6±0.1
CKEE16	19.0Max	19.5Max	17.5Max	4.0±0.5	3.2±0.5	15.5±0.5	0.7±0.1
CKEE19	20.5Max	17.5Max	20.0Max	4.0±0.5	3.9±0.5	13±0.5	0.7±0.1
CKEE22	23.5Max	17.5Max	20.0Max	4.0±0.5	4±0.5	10.3±0.5	0.8±0.1
CKEE25	26.5Max	18.5Max	23.5Max	4.0±0.5	5±0.5	12.5±0.5	0.8±0.1



WIRE WINDING TRANSFORMER CKEPC Series 绕线变压器 CKEPC系列

● FEATURES 特性

1. 低背设计，漏磁少，EMI性能优异；

Low back design, less magnetic leakage, excellent EMI performance;

2. 高阻抗，开放式结构，散热效果好；

High impedance, open structure, good heat dissipation effect;

3. 通用材料，成本低，快速交付；

General purpose materials, low cost, quick delivery;

4. 自动化生产确保高质量和一致性。

Automatic production ensures high quality and consistency.

● APPLICATIONS 用途

1. 适用于AC-DC和DC-DC适配器，也可作为滤波器；

AC-DC and DC-DC adapters are available and can also be used as filters;

2. 广泛应用于小功率开关电源适配器和LED驱动；

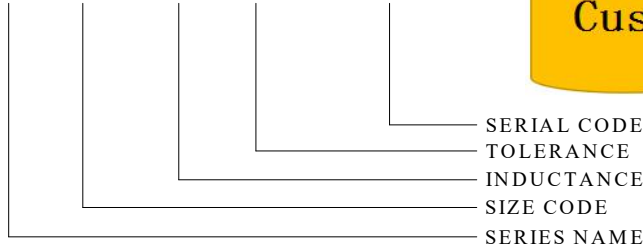
Widely used in low power supply and LED driver.

3. 我们可以根据您的要求定制产品。请联络我们的销售人员。

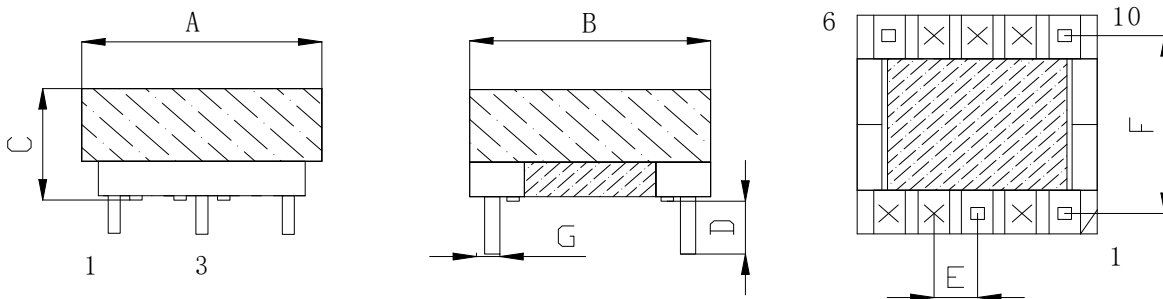
We can customize products according to your requirements. Please consult our sales.

● PART NUMBERING SYSTEM 品名系统

CKEPC 13- 1mH / K - □□□□



● SHAPES AND DIMENSIONS 外形尺寸 (Unit:mm)



TYPE(型号)	A	B	C	D	E	F	G
CKEPC13	15.0Max	15.0Max	10.0Max	4.0±0.5	2.5±0.5	10.5±0.5	0.5±0.1
CKEPC17	19.0Max	17.0Max	13.0Max	4.0±0.5	3.7±0.5	15.0±0.5	0.6±0.1
CKEPC19	21.0Max	21.0Max	13.5Max	4.0±0.5	3.7±0.5	16.2±0.5	0.6±0.1
CKEPC25	27.0Max	27.0Max	17.0Max	4.0±0.5	5.0±0.5	20.0±0.5	0.8±0.1



WIRE WINDING TRANSFORMER CKEFD Series 绕线变压器 CKEFD系列

● FEATURES 特性

1. 低背设计，漏磁少，EMI性能优异；

Low back design, less magnetic leakage, excellent EMI performance;

2. 高阻抗，开放式结构，散热效果好；

High impedance, open structure, good heat dissipation effect;

3. 通用材料，成本低，快速交付；

General purpose materials, low cost, quick delivery;

4. 自动化生产确保高质量和一致性。

Automatic production ensures high quality and consistency.

● APPLICATIONS 用途

1. 适用于AC-DC和DC-DC适配器，也可作为滤波器；

AC-DC and DC-DC adapters are available and can also be used as filters;

2. 广泛应用于小功率开关电源适配器和LED驱动；

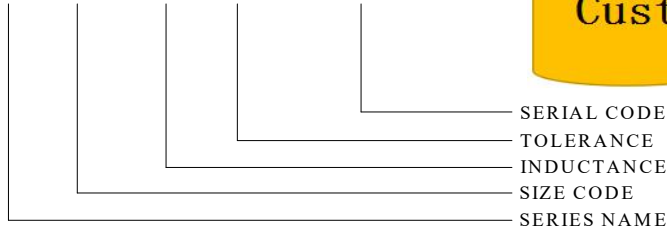
Widely used in low power supply and LED driver.

3. 我们可以根据您的要求定制产品。请联络我们的销售人员。

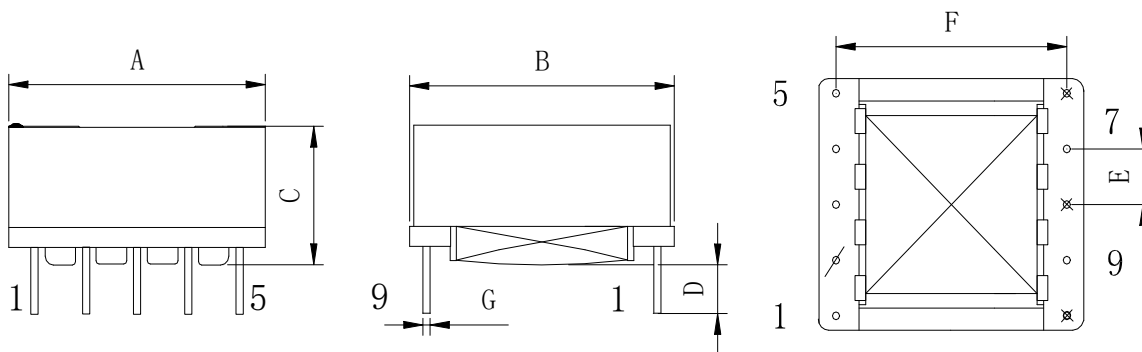
We can customize products according to your requirements. Please consult our sales.

● PART NUMBERING SYSTEM 品名系统

CKEFD 15- 1mH / K - □□□□



● SHAPES AND DIMENSIONS 外形尺寸 (Unit:mm)



TYPE(型号)	A	B	C	D	E	F	G
CKEFD15	17.0Max	18.0Max	9.5.0Max	4.0±0.5	3.7±0.3	13.7±0.5	0.6±0.1
CKEFD20	22.0Max	23.0Max	11.0Max	4.0±0.5	5±0.3	17.5±0.5	0.6±0.1
CKEFD25	27.0Max	28.0Max	13.0Max	4.0±0.5	5±0.3	22.45±0.5	0.8±0.1
CKEFD30	32.0Max	33.0Max	14.0Max	4.0±0.5	5±0.3	27.4±0.5	0.8±0.1



WIRE WINDING TRANSFORMER CKETD Series

绕线变压器 CKETD系列

● FEATURES 特性

1. 圆形的中柱，更利于绕线平整，一致性好，性能优良；

Round middle column, smooth winding, good consistency, excellent performance;

2. 高阻抗，开放式结构，散热效果好；

High impedance, open structure, good heat dissipation effect;

3. 通用材料，成本低，快速交付；

General purpose materials, low cost, quick delivery;

4. 自动化生产确保高质量和一致性。

Automatic production ensures high quality and consistency.

● APPLICATIONS 用途

1. 适用于AC-DC和DC-DC适配器；

AC-DC and DC-DC adapters are available ;

2. 广泛应用于笔记本和其他较大功率的电源适配器；

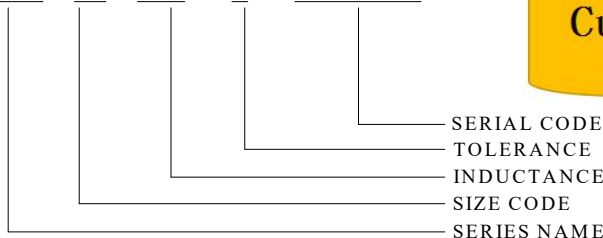
Widely used in Notebook adapter and other high power supply products.

3. 我们可以根据您的要求定制产品。请联络我们的销售人员。

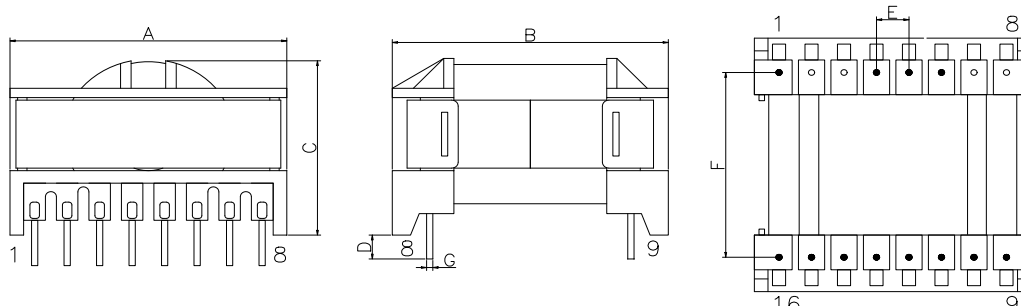
We can customize products according to your requirements. Please consult our sales.

● PART NUMBERING SYSTEM 品名系统

CKETD 29- 1mH / K - □□□□



● SHAPES AND DIMENSIONS 外形尺寸 (Unit:mm)



TYPE(型号)	A	B	C	D	E	F	G
CKETD29	36.0Max	36.0Max	25.50Max	4.0±0.5	5±0.3	25.8±0.5	0.8±0.1
CKETD34	41.5Max	41.5Max	32.0Max	4.0±0.5	5±0.3	25.5±0.5	1.0±0.1
CKETD39	46.0Max	46.0Max	37.5Max	4.0±0.5	5±0.3	30.4±0.5	1.0±0.1
CKETD49	55.0Max	58.5Max	42.5Max	4.0±0.5	5±0.3	41.0±0.5	1.0±0.1



WIRE WINDING TRANSFORMER CKER Series

绕线变压器 CKER系列

● FEATURES 特性

1. 圆形的中柱，更利于绕线平整，一致性好，性能优良；

Round middle column, smooth winding, good consistency, excellent performance;

2. 高阻抗，开放式结构，散热效果好；

High impedance, open structure, good heat dissipation effect;

3. 通用材料，成本低，快速交付；

General purpose materials, low cost, quick delivery;

4. 自动化生产确保高质量和一致性。

Automatic production ensures high quality and consistency.

● APPLICATIONS 用途

1. 适用于AC-DC和DC-DC适配器；

AC-DC and DC-DC adapters are available ;

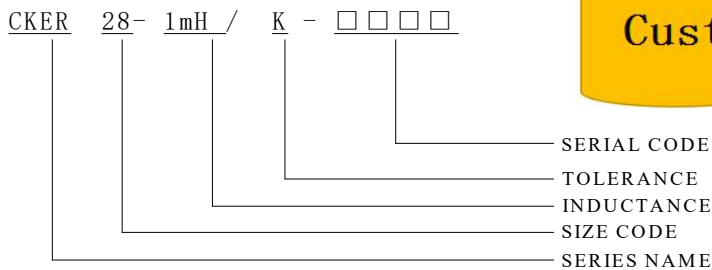
2. 广泛应用于笔记本和其他较大功率的电源适配器；

Widely used in Notebook adapter and other high power supply products.

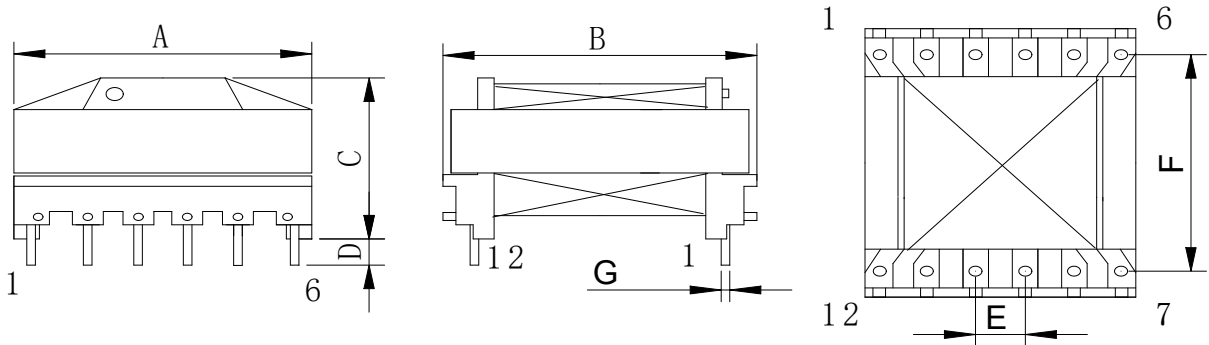
3. 我们可以根据您的要求定制产品。请联络我们的销售人员。

We can customize products according to your requirements. Please consult our sales.

● PART NUMBERING SYSTEM 品名系统



● SHAPES AND DIMENSIONS 外形尺寸 (Unit:mm)



TYPE(型号)	A	B	C	D	E	F	G
CKER28	32.0Max	40.0Max	27.5Max	4.0±0.5	5.0±0.3	30.0±0.5	0.8±0.1
CKER35	41.0Max	45.0Max	30.0Max	4.0±0.5	5.0±0.3	35.0±0.5	1.0±0.1
CKER40	42.0Max	45.0Max	32.0Max	4.0±0.5	5.0±0.3	35.2±0.5	1.0±0.1
CKER42	44.0Max	46.0Max	37.0Max	4.0±0.5	5.0±0.3	35.0±0.5	1.0±0.1



WIRE WINDING TRANSFORMER CKER Series 绕线变压器 CKER系列

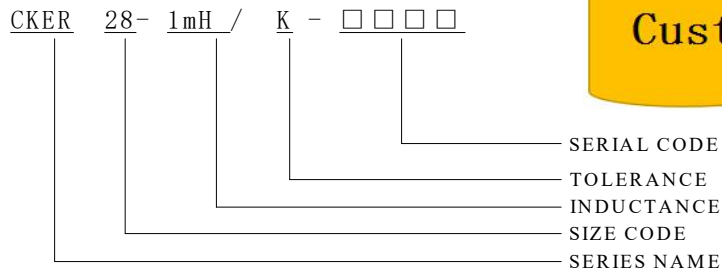
● FEATURES 特性

1. 圆形的中柱，更利于绕线平整，一致性好，性能优良；
Round middle column, smooth winding, good consistency, excellent performance;
2. 高阻抗，开放式结构，散热效果好；
High impedance, open structure, good heat dissipation effect;
3. 通用材料，成本低，快速交付；
General purpose materials, low cost, quick delivery;
4. 自动化生产确保高质量和一致性。
Automatic production ensures high quality and consistency.

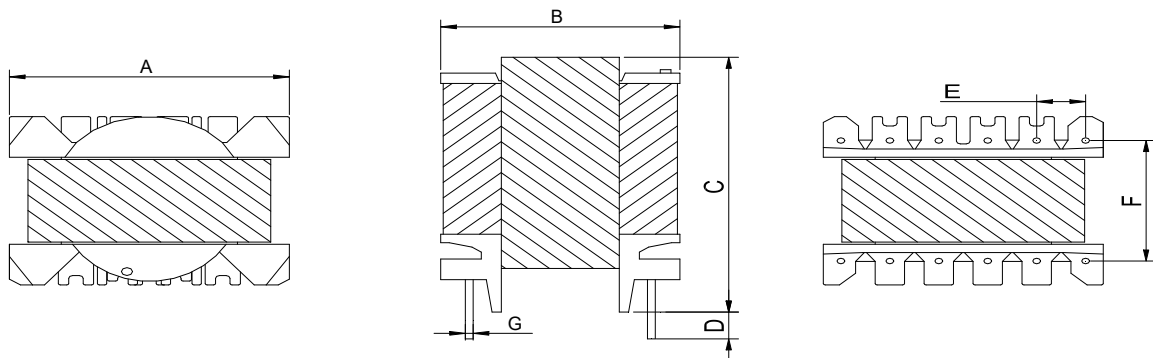
● APPLICATIONS 用途

1. 适用于AC-DC和DC-DC适配器；
AC-DC and DC-DC adapters are available ;
2. 广泛应用于笔记本和其他较大功率的电源适配器；
Widely used in Notebook adapter and other high power supply products.
3. 我们可以根据您的要求定制产品。请联络我们的销售人员。
We can customize products according to your requirements. Please consult our sales.

● PART NUMBERING SYSTEM 品名系统



● SHAPES AND DIMENSIONS 外形尺寸 (Unit:mm)



TYPE(型号)	A	B	C	D	E	F	G
CKER25	29.5Max	26.5Max	39.0Max	3.5±0.5	5.0±0.3	17.5±0.5	0.8±0.1
CKER28	32.0Max	28.0Max	40.5Max	3.5±0.5	5.0±0.3	20.0±0.5	0.8±0.1
CKER35	41.0Max	32.0Max	46.0Max	3.5±0.5	5.0±0.3	25.0±0.5	1.0±0.1

WIRE WINDING TRANSFORMER CKEP Series 绕线变压器 CKEP系列

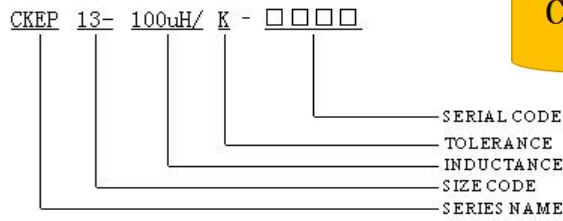
● FEATURES 特性

1. 优良的铁氧体磁屏蔽，分布电容低；
Excellent ferrite magnetic shielding, low distributed capacitance;
2. 半封闭磁路设计，减少漏磁和电磁干扰；
Semienclosed magnetic circuit design reduces leakage flux and EMI.
3. 通用材料，成本低，快速交付；
General purpose materials, low cost, quick delivery;
4. 自动化生产确保高质量和一致性。
Automatic production ensures high quality and consistency.

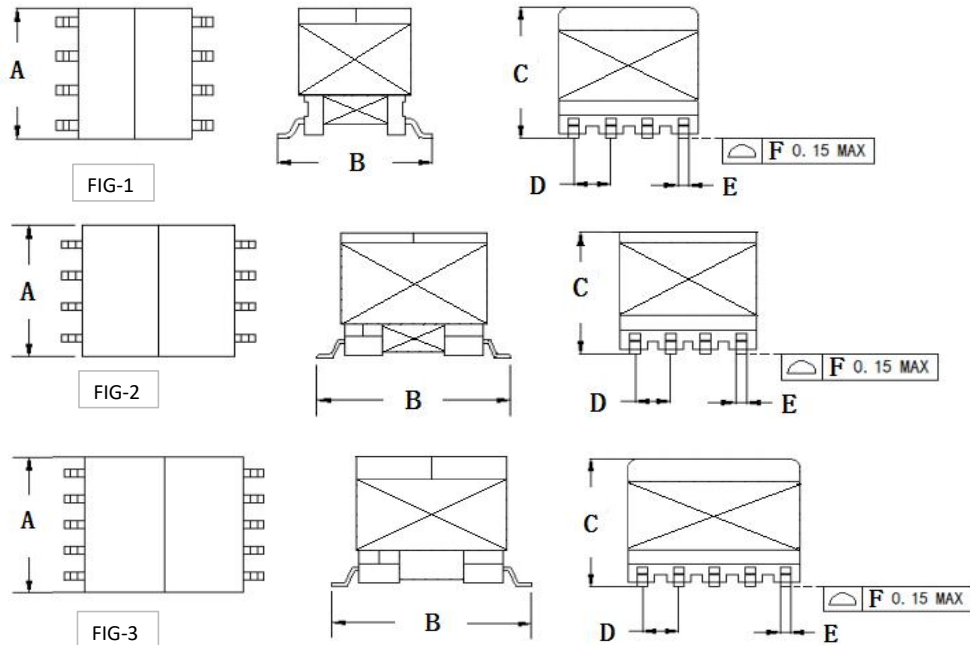
● APPLICATIONS 用途

1. 应用于PoE电源和 DC - DC转换器；
PoE power supply, DC - DC converter;
2. 应用于xDSL 信号传输。
xDSL communication signal transmission.
3. 我们可以根据您的要求定制产品。请联络我们的销售人员。
We can customize products according to your requirements. Please consult our sales.

● PART NUMBERING SYSTEM 品名系统



● SHAPES AND DIMENSIONS 外形尺寸 (Unit:mm)



TYPE(型号)	A	B	C	D	E	F	FIG
CKEP7	10.0Max	10.0Max	11.0Max	2.5±0.3	0.7 REF	0.15 MAX	FIG-1
CKEP10	12.0Max	15.5Max	11.5Max	2.5±0.3	0.7 REF	0.15 MAX	FIG-2
CKEP13	13.5Max	17.8Max	12.3Max	2.5±0.3	0.7 REF	0.15 MAX	FIG-3



WIRE WINDING TRANSFORMER CKPQ Series 绕线变压器 CKPQ系列

● FEATURES 特性

1. 圆形的中柱，更利于绕线平整，一致性好，性能优良；

Round middle column, smooth winding, good consistency, excellent performance;

2. 高阻抗，开放式结构，散热效果好；

High impedance, open structure, good heat dissipation effect;

3. 通用材料，成本低，快速交付；

General purpose materials, low cost, quick delivery;

4. 自动化生产确保高质量和一致性。

Automatic production ensures high quality and consistency.

● APPLICATIONS 用途

1. 大功率AC-DC变换器；

High power AC-DC converter;

2. 广泛应用于汽车电子、光伏产品、大功率适配器。

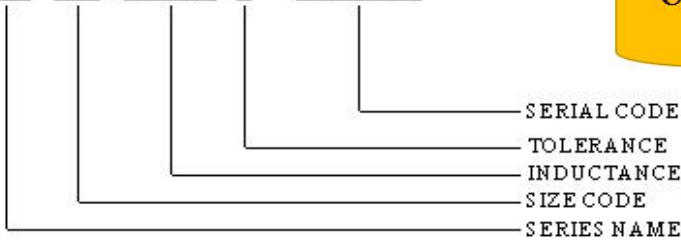
Widely used in automotive electronics, photovoltaic products, high power adapters.

3. 我们可以根据您的要求定制产品。请联络我们的销售人员。

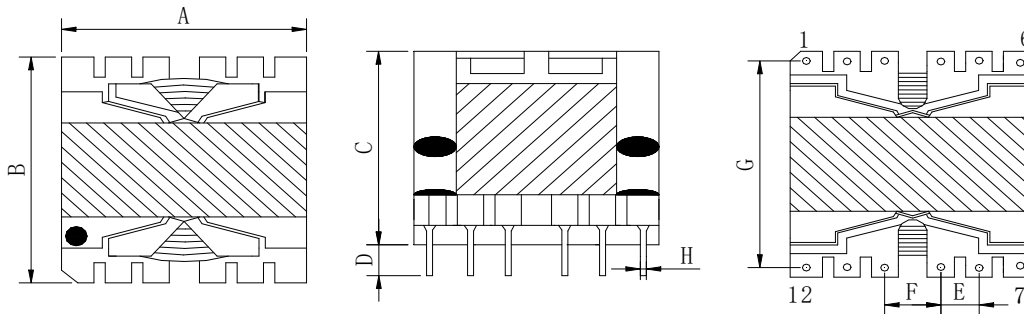
3. We can customize products according to your requirements. Please consult our sales.

● PART NUMBERING SYSTEM 品名系统

CKPQ 35- 100uH/ K - □□□□



● SHAPES AND DIMENSIONS 外形尺寸 (Unit:mm)



TYPE(型号)	A	B	C	D	E	F	G
CKPQ20	24.5Max	24.0Max	23.0Max	3.5±0.5	3.8±0.5	5.0±0.5	20.4±0.5
CKPQ26	28.5Max	30.5Max	27.0Max	3.5±0.5	3.8±0.5	7.5±0.5	25.5±0.5
CKPQ32	34.5Max	35.5Max	34.0Max	3.5±0.5	5.0±0.5	7.6±0.5	30.3±0.5
CKPQ35	37.7Max	40.5Max	39.0Max	3.5±0.5	5.0±0.5	10.0±0.5	35.5±0.5